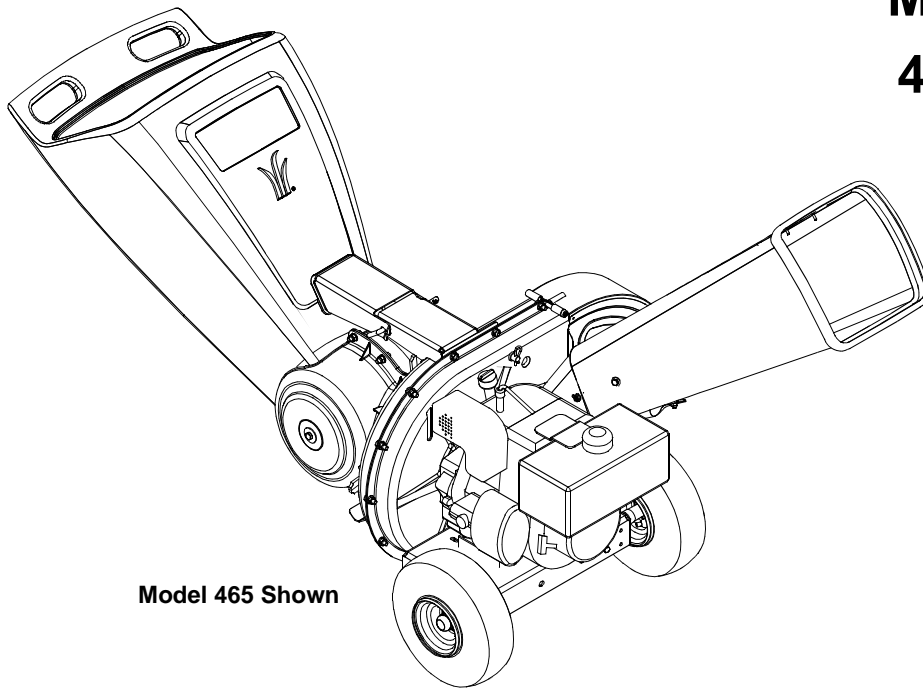


# OPERATOR'S MANUAL

## Chipper Shredder Model Series 462 thru 465



Model 465 Shown

### **IMPORTANT: READ SAFETY RULES AND INSTRUCTIONS CAREFULLY**

**Warning:** This unit is equipped with an internal combustion engine and should not be used on or near any unimproved forest-covered, brush-covered or grass-covered land unless the engine's exhaust system is equipped with a spark arrester meeting applicable local or state laws (if any). If a spark arrester is used, it should be maintained in effective working order by the operator. In the State of California the above is required by law (Section 4442 of the California Public Resources Code). Other states may have similar laws. Federal laws apply on federal lands. A spark arrester for the muffler is available through your nearest engine authorized service dealer or contact the service department, P.O. Box 368022 Cleveland, Ohio 44136-9722.

**MTD PRODUCTS INC. P.O. BOX 368022 CLEVELAND, OHIO 44136-9722**

## TABLE OF CONTENTS

Content	Page
Important Safe Operation Practices.....	3
Assembling Your Chipper Shredder.....	5
Know Your Chipper Shredder .....	7
Operating Your Chipper Shredder .....	7
Maintaining Your Chipper Shredder .....	9
Troubleshooting.....	11
Parts List.....	12

## FINDING MODEL NUMBER

This Operator's Manual is an important part of your new chipper shredder. It will help you assemble, prepare and maintain the unit for best performance. Please read and understand what it says.



**Before you start assembling your new equipment**, please locate the model plate on the equipment and copy the information from it in the space provided below. The information on the model plate is very important if you need help from our Customer Support Department or an authorized dealer.

- You can locate the model number by standing behind the unit and looking down at the frame below the engine. A sample model plate is explained below. For future reference, please copy the model number and the serial number of the equipment in the space below.

_____	_____
(Model Number)	(Serial Number)
<b>MTD PRODUCTS INC</b> <b>CLEVELAND, OHIO 44136</b>	

Copy the model number here: \_\_\_\_\_

Copy the serial number here: \_\_\_\_\_

## CALLING CUSTOMER SUPPORT

If you have difficulty assembling this product or have any questions regarding the controls, operation or maintenance of this unit, please call the Customer Support Department.



Call 1- (330) 220-4MTD (4683) or 1- (800)-800-7310 to reach a Customer Support representative. Please have your unit's model number and serial number ready when you call. See previous section to locate this information. You will be asked to enter the serial number in order to process your call.

For more details about your machine, visit our website at [www.mtdproducts.com](http://www.mtdproducts.com)

---

## SECTION 1: IMPORTANT SAFE OPERATION PRACTICES



**WARNING:** This symbol points out important safety instructions which, if not followed, could endanger the personal safety and/or property of yourself and others. Read and follow all instructions in this manual before attempting to operate this machine. Failure to comply with these instructions may result in personal injury. When you see this symbol - **heed its warning.**

**WARNING:** The Engine Exhaust from this product contains chemicals known to the State of California to cause cancer, birth defects or other reproductive harm.

**DANGER:** This machine was built to be operated according to the rules for safe operation in this manual. As with any type of power equipment, carelessness or error on the part of the operator can result in serious injury. This machine is capable of amputating hands and feet and throwing objects. Failure to observe the following safety instructions could result in serious injury or death.

### TRAINING

1. Read, understand, and follow all instructions on the machine and in the manual(s) before attempting to assemble and operate. Keep this manual in a safe place for future and regular reference and for ordering replacement parts.
2. Be familiar with all controls and their proper operation. Know how to stop the machine and disengage them quickly.
3. Never allow children under 16 years old to operate this machine. Children 16 years old and over should read and understand the operation instructions and safety rules in this manual and should be trained and supervised by a parent.
4. Never allow adults to operate this machine without proper instruction.
5. Keep bystanders, helpers, pets, and children at least 75 feet from the machine while it is in operation. Stop machine if anyone enters the area.
6. Never run an engine indoors or in a poorly ventilated area. Engine exhaust contains carbon monoxide, an odorless and deadly gas.
7. Do not put hands and feet near rotating parts or in the feeding chambers and discharge opening. Contact with the rotating impeller can amputate fingers, hands, and feet.
8. Never attempt to unclog either the feed intake or discharge opening, remove or empty bag, or inspect and repair the machine while the engine is running. Shut the engine off and wait until all moving parts have come to a complete stop. Disconnect the spark plug wire and ground it against the engine.
2. Always wear safety glasses or safety goggles during operation or while performing an adjustment or repair, to protect eyes. Thrown objects which ricochet can cause serious injury to the eyes.
3. Wear sturdy, rough-soled work shoes and close-fitting slacks and shirts. Loose fitting clothes or jewelry can be caught in movable parts. Never operate this machine in bare feet or sandals. Wear leather work gloves when feeding material in the chipper chute.
4. Before starting, check all bolts and screws for proper tightness to be sure the machine is in safe working condition. Also, visually inspect machine for any damage at frequent intervals.
5. Maintain or replace safety and instructions labels, as necessary.
6. To avoid personal injury or property damage use extreme care in handling gasoline. Gasoline is extremely flammable and the vapors are explosive. Serious personal injury can occur when gasoline is spilled on yourself or your clothes which can ignite. Wash your skin and change clothes immediately.
  - a. Use only an approved gasoline container.
  - b. Extinguish all cigarettes, cigars, pipes, and other sources of ignition.
  - c. Never fuel machine indoors.
  - d. Never remove gas cap or add fuel while the engine is hot or running.
  - e. Allow engine to cool at least two minutes before refueling.
  - f. Never over fill fuel tank. Fill tank to no more than 1/2 inch below bottom of filler neck to provide space for fuel expansion.
  - g. Replace gasoline cap and tighten securely.
  - h. If gasoline is spilled, wipe it off the engine and equipment. Move machine to another area. Wait 5 minutes before starting the engine.
  - i. Never store the machine or fuel container inside where there is an open flame, spark, or pilot light (e.g. furnace, water heater, space heater, clothes dryer, etc.)

### PREPARATION

1. Thoroughly inspect the area where the equipment is to be used. Remove all rocks, bottles, cans, or other foreign objects which could be picked up or thrown and cause personal injury or damage to the machine.

- j. To reduce a fire hazard, keep machine free of grass, leaves, or other debris build-up. Clean up oil or fuel spillage and remove any fuel soaked debris.
- k. Allow machine to cool at least 5 minutes before storing.

## OPERATION

1. Do not put hands and feet near rotating parts or in the feeding chambers and discharge opening. Contact with the rotating impeller can amputate fingers, hands, and feet.
2. Before starting the machine, make sure the chipper chute, feed intake, and cutting chamber are empty and free of all debris.
3. Thoroughly inspect all material to be shredded and remove any metal, rocks, bottles, cans, or other foreign objects which could cause personal injury or damage to the machine.
4. If it becomes necessary to push material through the shredder hopper, use a small diameter stick. Do not use your hands or feet.
5. If the impeller strikes a foreign object or if your machine should start making an unusual noise or vibration, immediately shut the engine off. Allow the impeller to come to a complete stop. Disconnect the spark plug wire, ground it against the engine and perform the following steps:
  - a. Inspect for damage.
  - b. Repair or replace any damaged parts.
  - c. Check for any loose parts and tighten to assure continued safe operation.
6. Do not allow an accumulation of processed material to build up in the discharge area. This can prevent proper discharge and result in kickback of material through the feed opening.
7. Do not attempt to shred or chip material larger than specified on the machine or in this manual. Personal injury or machine damage could result.
8. Never attempt to unclog either the feed intake or discharge opening while the engine is running. Shut the engine off, wait until all moving parts have stopped, disconnect the spark plug wire and ground it against the engine before clearing debris.
9. Never operate without the shredder hopper, chipper chute, or discharge chute properly attached to the machine. Never empty or change discharge bag while the engine is running.
10. Keep all guards, deflectors and safety devices in place and operating properly.
11. Keep your face and body back and to the side of the chipper chute while feeding material into the machine to avoid accidental kickback injuries.
12. Never operate this machine without good visibility or light.
13. Do not operate this machine on a paved, gravel or non-level surface.
14. Do not operate this machine while under the influence of alcohol or drugs.
15. Muffler and engine become hot and can cause a burn. Do not touch.
16. Never pick up or carry machine while the engine is running.

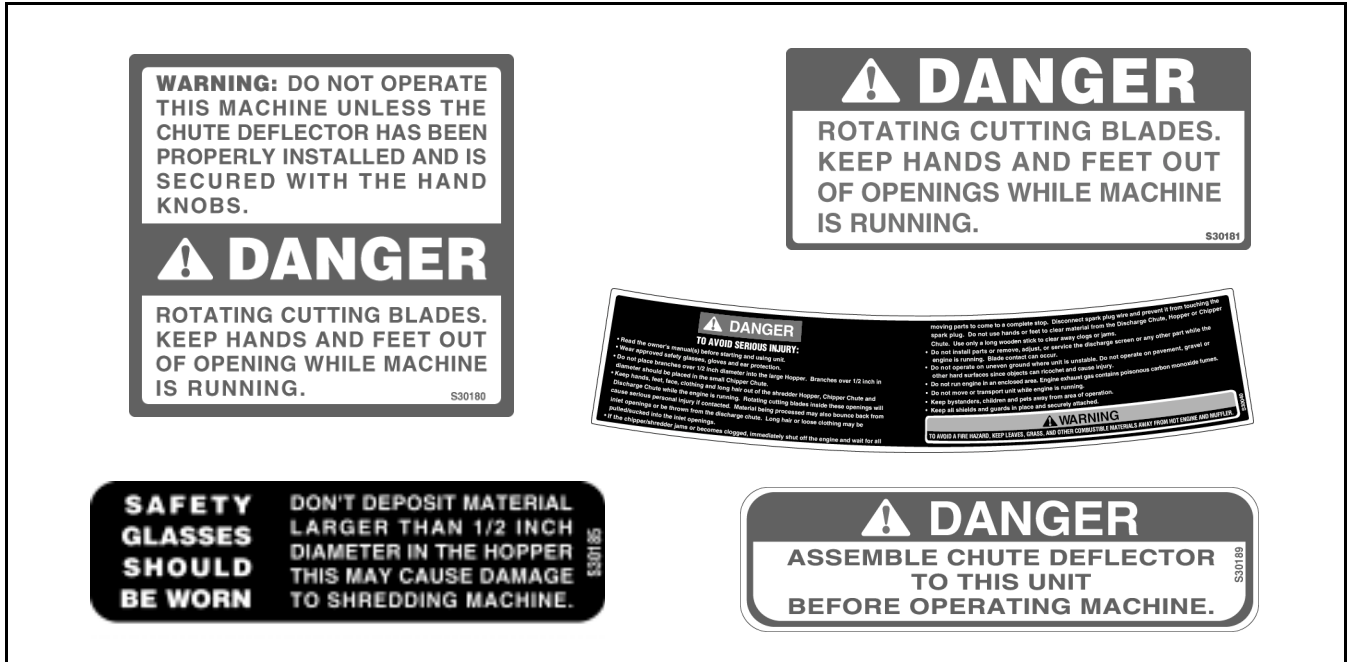
## MAINTENANCE AND STORAGE

1. Never tamper with safety devices. Check their proper operation regularly.
2. Check bolts and screws for proper tightness at frequent intervals to keep the machine in safe working condition. Also, visually inspect machine for any damage and repair, if needed.
3. Before cleaning, repairing, or inspecting, stop the engine and make certain the impeller and all moving parts have stopped. Disconnect the spark plug wire and ground it against the engine to prevent unintended starting.
4. Do not change the engine governor settings or overspeed the engine. The governor controls the maximum safe operating speed of the engine.
5. Maintain or replace safety and instruction labels, as necessary.
6. Follow this manual for safe loading, unloading, transporting, and storage of this machine.
7. Never store the machine or fuel container inside where there is an open flame, spark or pilot light such as a water heater, furnace, clothes dryer, etc.
8. Always refer to the operator's manual for proper instructions on off-season storage.
9. If the fuel tank has to be drained, do this outdoors.
10. Observe proper disposal laws and regulations for gas, oil, etc. to protect the environment.



**WARNING: - YOUR RESPONSIBILITY:** Restrict the use of this power machine to persons who read, understand and follow the warnings and instructions in this manual and on the machine.

**NOTE:** Not all safety labels shown may apply to your chipper shredder.



## SECTION 2: ASSEMBLING YOUR CHIPPER SHREDDER

**IMPORTANT:** This unit is shipped without gasoline or oil in the engine. Be certain to service engine with gasoline and oil as instructed in the separate engine manual before operating your machine.

**NOTE:** Reference to right or left hand side of the chipper shredder is observed from the operating position.

### Removing Unit From Carton

- Remove staples, break glue on top flaps, or cut tape at carton end and peel along top flap to open carton.
- Remove loose parts if included with unit (i.e., operator's manual, etc.)
- Cut along corners, lay carton down flat, and remove packing material.
- Roll or slide unit out of carton and check carton thoroughly for loose parts.

### Loose Parts In Carton (See Figure 1)

- Hopper Assembly
- Discharge Chute
- Chipper Chute (463 thru 465)
- Bag (Not Shown)
- Tamper Plug (If Equipped)

### Disconnecting Spark Plug Wire

Before setting up your chipper shredder, disconnect the spark plug wire from the spark plug and ground against the engine.

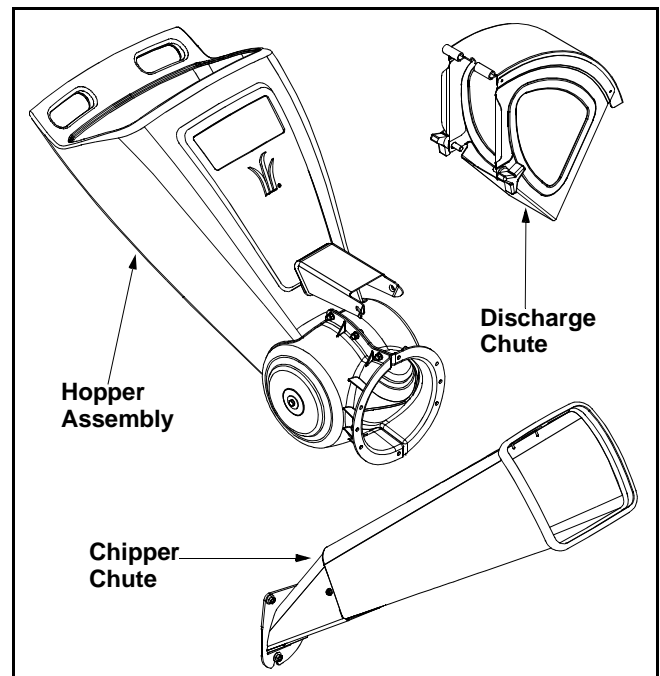


Figure 1

## Attaching The Hopper Assembly (All Models)

- Remove six hex nuts and washers from the weld studs on the impeller housing. Do not remove the support plate. See Figure 2.
- Place hopper assembly into position in front of impeller housing, aligning holes in hopper assembly collar with weld studs.

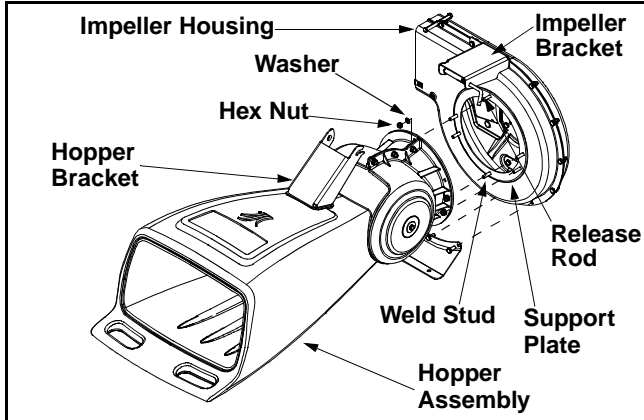


Figure 2

- Slide hopper assembly onto weld studs and replace washers and hex nuts. Do not tighten completely.
- Lift hopper assembly up to impeller bracket assembly and slide the release rod out slightly to hook the hopper bracket onto the rod. See Figure 2.
- Tighten the six hex nuts that secure hopper assembly to impeller housing and also tighten the hex nuts that secure hopper bracket to hopper assembly.

## Attaching The Discharge Chute (All Models)

- Remove the wing knobs from each side of the lower impeller housing. See Figure 3.

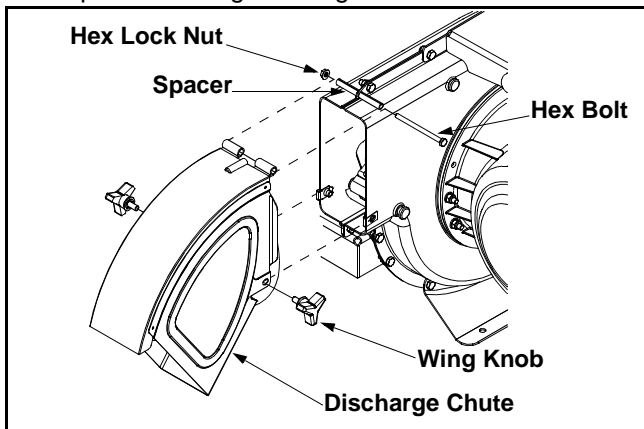


Figure 3

- Remove the hex lock nut, spacers, and hex bolt from the top of the impeller housing.
- Align the discharge chute in position on the discharge opening and insert hex bolt with spacer through hinge on discharge chute (spacers fit inside of hinges). See Figure 3.

- Place second spacer over hex bolt inside other hinge and secure with hex lock nut.
- Secure both sides of discharge chute to impeller housing using wing knobs previously removed.

## Attaching The Chipper Chute

(Model 463 Thru 465 Only)

- Remove the three cupped washers and hex nuts from weld studs besides the opening on the side of the impeller housing. See Figure 4.

**NOTE:** Engine is not shown for clarity.

- Remove the hex bolts, lock nuts, and flat washers from the two holes on the upper end of the support brace.

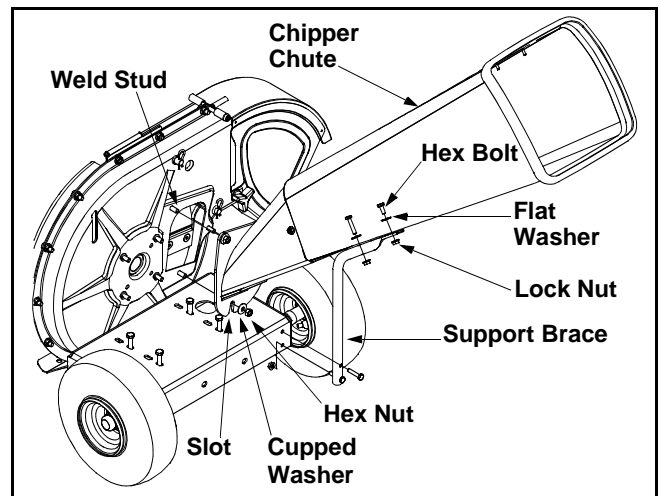


Figure 4

- Align the chipper chute over the weld studs, so the slot in the bottom of the chute is facing down.
- Secure chipper chute with the three cupped washers (cupped side against the chipper chute) and hex nuts previously removed. Do not tighten the nuts at this time.
- The chipper shredder was shipped with one end of the support brace already secured to the lower frame. **Loosen but do not remove** the bolts securing the brace to the frame.
- Align the holes in the chute with the holes in the top of the brace and attach brace to chipper chute with hardware previously removed. Tighten securely.
- Tighten the bolts securing the support brace to the frame.
- Tighten the three nuts on the weld studs holding the chipper chute to the impeller housing.

## Attaching The Bag (All Models)

- To attach the bag, place the opening of the bag completely over the discharge chute.
- Depress the plunger on the drawstring and pull on the drawstring until the bag is tight around chute opening. Release plunger to lock it into position.

## SECTION 3: KNOW YOUR CHIPPER SHREDDER

Read this operator's manual and safety rules before operating your chipper shredder. Compare the illustrations in Figure 5 with your unit to familiarize yourself with the location of various controls and adjustments. Save this manual for future reference.

### Starter Handle

The starter handle is located on the engine. Pull the starter handle to start engine. See Figure 5.

### Release Rod

The release rod is located on the impeller bracket assembly and it is used to release or lock the hopper when raising or lowering. See Figure 5.

### Chipper Chute

Allow twigs and small branches up to 3" in diameter on models 463 thru 465 and 2" in diameter on models 462 to be fed into the impeller for chipping. See Figure 5.

### Hopper Assembly

Allow leaves and small branches up to 1/2 diameter to be fed into the impeller for chipping and shredding.

Material can be raked into hopper assembly by lowering the hopper assembly. See Figure 5.

### Bag (Not Shown)

Collects shredded or chipped material fed through the chipper chute or hopper assembly.

### Tamper Plug (If Equipped)

The tamper plug is designed to insert in the chipper chute to push material toward the impeller. See Figure 5.

### Engine Controls

See the separate engine manual for the location and function of the controls on the engine.

## Stopping Engine

- Move throttle control lever to STOP or OFF position.
- Disconnect spark plug wire from spark plug and ground against the engine.

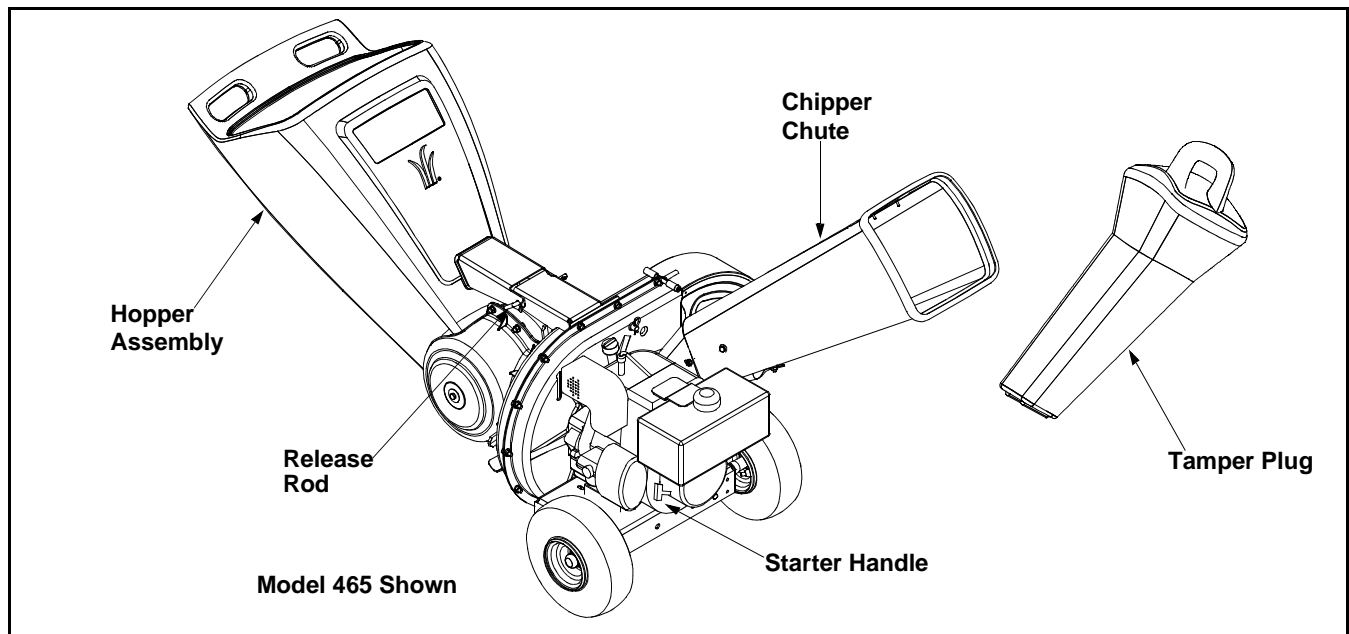


Figure 5

## SECTION 4: OPERATING YOUR CHIPPER SHREDDER



**WARNING:** The operation of any chipper shredder can result in foreign objects being thrown into the eyes, which can damage your eyes severely. Always wear the safety glasses provided with this unit or eye shields before chipping or shredding and while performing any adjustments or repairs.

### Gas And Oil Fill-Up

Service the engine with gasoline and oil as instructed in the separate engine manual packed with your chipper shredder. Read instructions carefully.



**WARNING:** Never fill fuel tank indoors with engine running or until the engine has been allowed to cool for at least two minutes after running.

## Starting Engine

- Attach spark plug wire to spark plug. Make certain the metal cap on the end of the spark plug is fastened securely over the metal tip on the spark plug.
- **Engines with choke lever:**  
Move choke lever on engine to CHOKE position. (A warm engine may not require choking).
- **Engines with primer:**  
Prime engine as instructed in separate engine manual.
- The throttle control lever is located on the engine. Move engine throttle control lever to FAST or START position.
- Grasp starter handle and pull rope out slowly until engine reaches start of compression cycle (rope will pull slightly harder at this point).

**NOTE:** A noise will be heard when finding the start of the compression cycle. This noise is caused by the flails and fingers, which are part of the shredding mechanism, and it should be expected until the impeller reaches full speed.

- Pull rope with a rapid, continuous, full arm stroke. Keep a firm grip on starter handle. Let rope rewind slowly.
- Repeat the previous steps until engine fires. When engine starts, move choke control (if equipped) gradually to RUN position.



**WARNING:** Never run the engine indoors or in a poorly ventilated area. Engine exhaust contains carbon monoxide, an odorless and deadly gas.

## To Empty Bag

- Depress the plunger on the drawstring and slide the plunger out to loosen bag from discharge chute opening.
- Empty bag and reattach to the discharge chute opening. Depress the plunger on the drawstring and pull on the drawstring until the bag is tight around the chute opening.

## Lowering The Hopper Assembly

- With one hand grasp the handle at the top of the hopper assembly and lift slightly.
- With the other hand pull out on the release rod and lower the hopper assembly to the ground. See Figure 6.

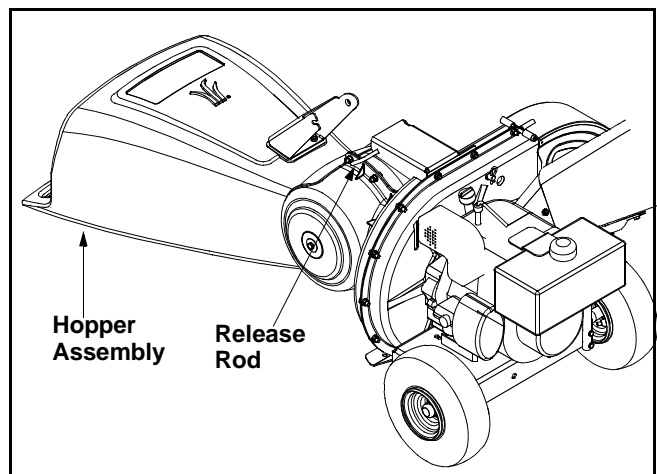


Figure 6

## Using The Chipper Shredder

Yard waste such as leaves and pine needles can be raked up through the hopper assembly for shredding. After material has been shredded by the flail blades on the impeller assembly, it will be discharged out of opening or into catcher bag. Do not attempt to shred or chip any material other than vegetation found in a normal yard (i.e. branches, leaves, twigs, etc.) Avoid fibrous plants such as tomato vines until they are thoroughly dried out. Twigs and small branches up to 3" in diameter on models 463 thru 465 and 2" in diameter on models 462 can be fed into the chipper chute. If equipped, use the tamper plug to push material into the chipper chute. See Figure 7.

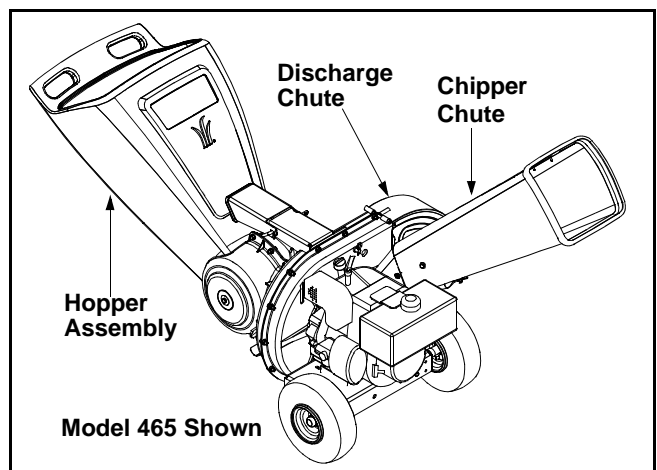


Figure 7

**IMPORTANT:** The flail screen is located inside the housing in the discharge area. If the flail screen becomes clogged, remove and clean as instructed in SECTION 5: MAINTAINING YOUR CHIPPER SHREDDER. For best performance, it is also important to keep the chipper blade sharp.



# SECTION 5: MAINTAINING YOUR CHIPPER SHREDDER

## Customer Responsibilities

MAINTENANCE SCHEDULE		Before each use	Every 25 hours	Every 50 hours	Every 100 hours	Once a season	Before storage	SERVICE DATES					
PRODUCT	Lubricate Release Bracket					✓							
	Lubricate Hopper Assembly					✓							
	Lubricate Discharge Chute					✓							
	Check Chipper Blade		✓			✓							
ENGINE	Check Oil	✓											
	Change Oil		✓				✓						
	Clean Air Filter		✓			✓							
	Clean Engine	✓					✓						
	Check Spark Plug			✓		✓							



**WARNING:** Always stop engine, disconnect spark plug, and ground against engine before cleaning, lubricating or doing any kind of maintenance on your machine.

- The **spark plug** should be cleaned and the gap reset once a season. Check engine manual for correct plug type and gap specifications.

## Lubrication

**Release Rod:** Lubricate the release rod and spring with light oil once a season.

**Hopper Assembly:** Lubricate the pivot points on the hopper assembly with light oil once a season.

**Discharge Chute:** Lubricate the pivot points on the chute deflector with light oil once a season.

**Engine:** Follow the separate engine manual packed with you unit for lubrication instructions.

## Maintenance

### Engine

Refer to the separate engine manual for all engine maintenance instructions.

- Check **engine oil level** before each use as instructed in the separate engine manual packed with your unit. Read and follow instructions carefully.
- Clean **air cleaner** every 25 hours under normal conditions or once a season. Clean every few hours under extremely dusty conditions. To service the air cleaner, refer to the separate engine manual packed with your unit.

## Removing The Flail Screen

If the discharge area becomes clogged, remove the flail screen and clean area as follows:

- Stop the engine and make certain the chipper shredder has come to a complete stop.
- Disconnect spark plug wire from spark plug and ground against the engine.
- Remove the two wing knobs on each side of the discharge chute and lift the discharge chute up to keep it out of the way. See Figure 8.

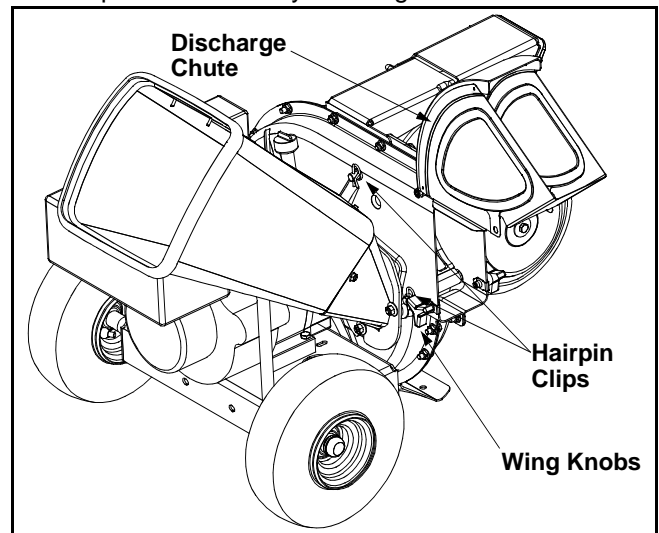


Figure 8

- Remove the two hairpin clips from each clevis pin which extend through the housing and remove the pins. See Figure 8.
- Remove the flail screen from inside the housing and clean the screen by scraping or washing with water.
- Reinstall the screen, making certain to reassemble the flail screen with the curve side down.
- Reattach the discharge chute with the hardware previously removed and connect the bag (if equipped) to unit.

## Sharpening Or Replacing Chipper Blades

- Disconnect the spark plug wire and ground against the engine.
- Remove the flail screen as instructed in the previous section.
- Remove the chipper chute by removing three hex nuts and washers.

### Models 463 or 465

- Remove the chipper chute support brace from the frame by removing the hex bolts.

### All Models

- Rotate the impeller assembly by hand until you locate one of the two chipper blades in the chipper chute opening.
- Remove the blade using a 3/16" allen wrench on the outside of the blade and an adjustable wrench on the impeller assembly. See Figure 9.

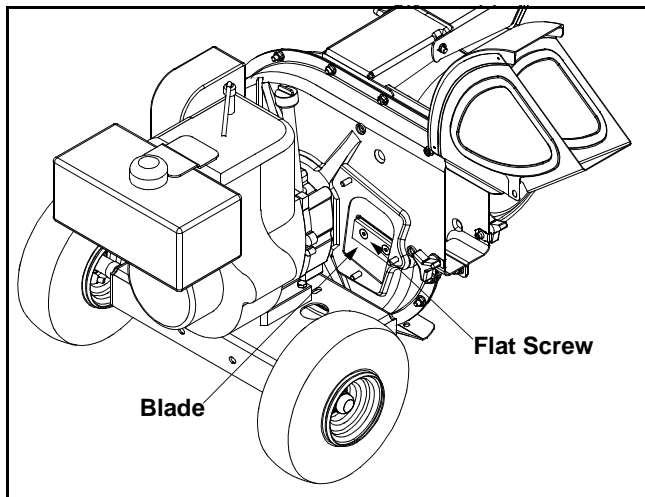


Figure 9

- Rotate the impeller to expose other blade and remove in the same manner.
- Replace or sharpen blades.
- When sharpening the blade, protect hands by using gloves and follow the original angle of grind. Also, make sure to remove an equal amount from each blade and torque to 250 - 300 in. lbs.

**NOTE:** Make certain blades are reassembled with the sharp edge facing upward.

## Sharpening Or Replacing The Shredder Blade

- Disconnect the spark plug wire and ground against the engine.
- Lower the hopper assembly and block up the housing.
- Remove the six hex lock nuts and flat washers from the weld studs on the flail housing.
- Separate the hopper assembly from the impeller assembly and remove the support plate.

**NOTE:** When reassembling the support plate, make certain the embossed tab faces inward towards the impeller.

- Remove the two wing knobs and cupped washers that secure the discharge chute and raise the chute.
- Insert a 1/2" or 3/4" diameter pipe through the flail screen into the impeller to keep it from turning or remove the flail screen and insert a piece of wood into the chute opening.
- Remove the two outside screws on the blade, using a 3/16" allen wrench and a 1/2" wrench. See Figure 10.

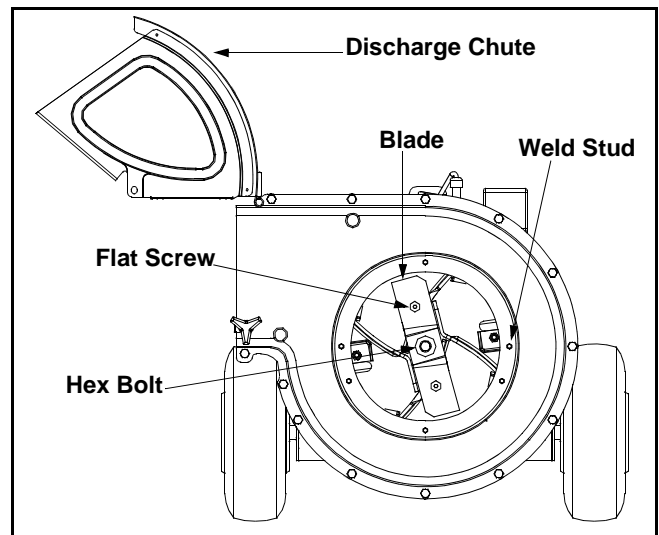


Figure 10

- Remove the blade by removing the center bolt, lock washer, and flat washer.

**NOTE:** Use caution when removing the blade to avoid contacting the weld studs on the housing.

- When sharpening the blade, follow the original angle of grind as a guide. It is extremely important that each cutting edge receives an equal amount of grinding to prevent an unbalanced blade.

- An unbalanced blade will cause excessive vibration when rotating at high speeds and may cause damage to the unit. The blade can be tested by balancing it on a screwdriver or nail. Remove metal from the heavy side until it is balanced evenly.
- When reassembling the blade, tighten center bolt to between 550 and 700 in.-lbs. and the two out bolts to between 250 and 350 in.-lbs.

## Storing Your Chipper Shredder

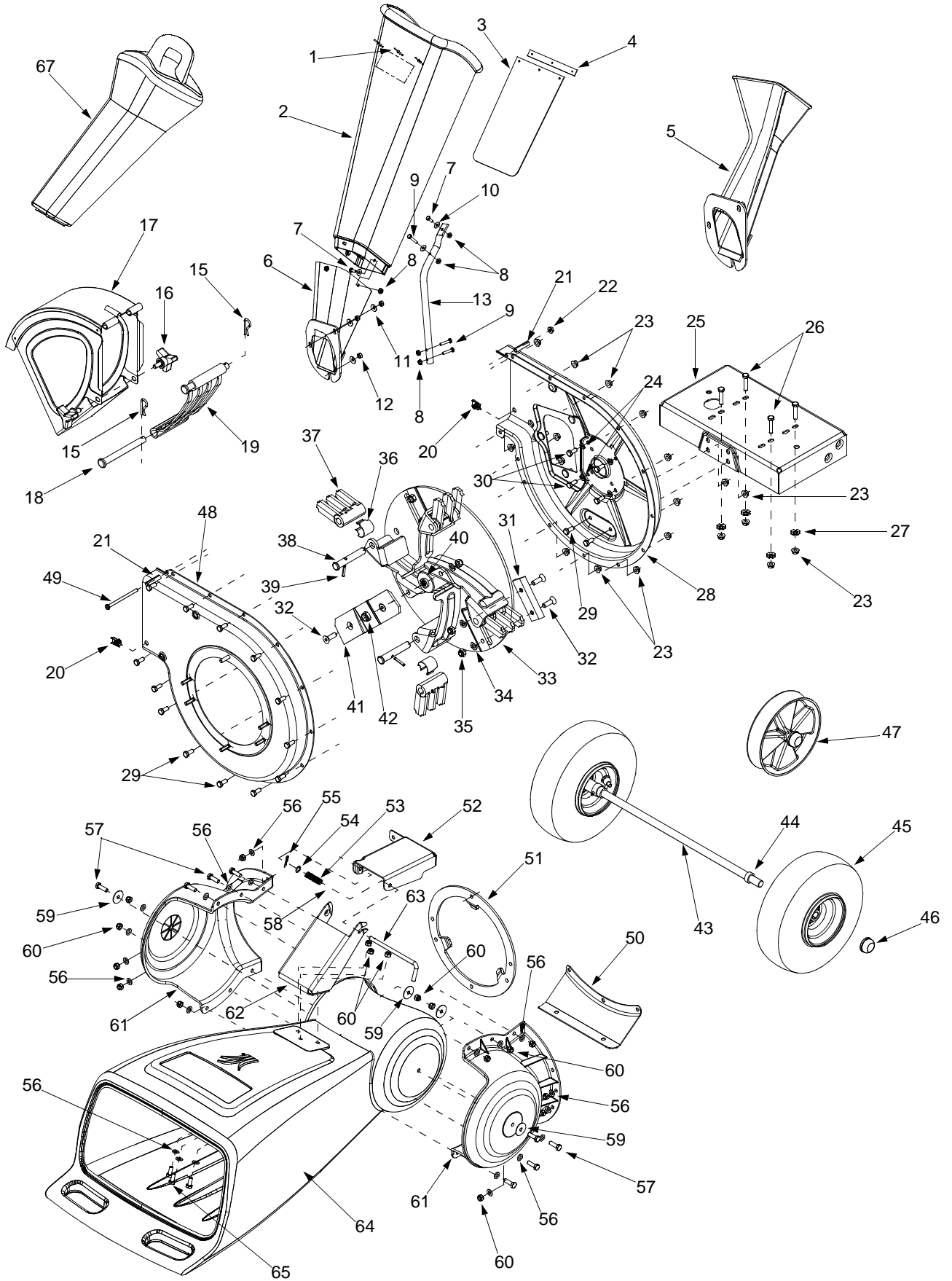
- Clean the equipment thoroughly.
- Wipe equipment with an oiled rag to prevent rust.
- Refer to engine manual for correct engine storage instructions
- Store unit in a clean, dry area. Do not store next to corrosive materials such as fertilizer.

## SECTION 6: TROUBLESHOOTING

Problem	Cause	Remedy
Engine fails to start	<ol style="list-style-type: none"> <li>1. Spark plug wire disconnected.</li> <li>2. Fuel tank empty or stale fuel.</li> <li>3. Throttle control lever not in correct starting position. (If Equipped)</li> <li>4. Choke not in CHOKE position. (If Equipped)</li> <li>5. Engine not primed.</li> <li>6. Blocked fuel line.</li> <li>7. Faulty spark plug.</li> </ol>	<ol style="list-style-type: none"> <li>1. Connect wire to spark plug.</li> <li>2. Fill tank with clean, fresh gasoline.</li> <li>3. Move throttle lever to FAST position.</li> <li>4. Move choke to CHOKE position.</li> <li>5. Prime engine.</li> <li>6. Clean fuel line.</li> <li>7. Clean, adjust gap, or replace.</li> </ol>
Engine runs erratic	<ol style="list-style-type: none"> <li>1. Spark plug wire loose.</li> <li>2. Unit running on CHOKE. (If Equipped)</li> <li>3. Blocked fuel line or stale fuel.</li> <li>4. Water or dirt in fuel system.</li> <li>5. Dirty air cleaner.</li> <li>6. Carburetor out of adjustment.</li> </ol>	<ol style="list-style-type: none"> <li>1. Connect and tighten spark plug wire.</li> <li>2. Move choke lever to OFF position.</li> <li>3. Clean fuel line; fill tank with clean, fresh gasoline</li> <li>4. Drain fuel tank. Refill with fresh fuel.</li> <li>5. Clean or replace air cleaner.</li> <li>6. See authorized service dealer.</li> </ol>
Too much vibration	<ol style="list-style-type: none"> <li>1. Loose parts or damaged impeller.</li> </ol>	<ol style="list-style-type: none"> <li>1. See authorized service dealer.</li> </ol>
Engine overheats	<ol style="list-style-type: none"> <li>1. Engine oil level low.</li> <li>2. Dirty air cleaner.</li> <li>3. Carburetor not adjusted properly.</li> </ol>	<ol style="list-style-type: none"> <li>1. Fill crankcase with proper oil.</li> <li>2. Clean or replace air cleaner.</li> <li>3. See authorized service dealer.</li> </ol>
Occasional skip (hesitates) at high speed	<ol style="list-style-type: none"> <li>1. Spark plug gap too close.</li> </ol>	<ol style="list-style-type: none"> <li>1. Adjust gap to .030".</li> </ol>
Unit does not discharge	<ol style="list-style-type: none"> <li>1. Discharge chute clogged.</li> <li>2. Foreign object lodged in impeller.</li> <li>3. Low engine RPM.</li> </ol>	<ol style="list-style-type: none"> <li>1. Stop engine immediately and disconnect spark plug wire. Clean flail screen and inside of discharge opening.</li> <li>2. Stop engine and disconnect spark plug wire. Remove lodged object.</li> <li>3. Always run engine at full throttle.</li> </ol>
Rate of discharge slows considerably or composition of discharged material changes.	<ol style="list-style-type: none"> <li>1. Low engine RPM.</li> <li>2. Chipper blade dull.</li> </ol>	<ol style="list-style-type: none"> <li>1. Always run engine at full throttle.</li> <li>2. Replace chipper blade or see your authorized service dealer.</li> </ol>

**NOTE:** For repairs beyond the minor adjustments listed above, contact your nearest authorized service dealer.

# Model Series 462 Thru 465



## Model Series 462 Thru 465

Ref. No.	Part No.	Part Description	Ref. No.	Part No.	Part Description
1.	728-0175	Pop Rivet	35.	712-0411	Hex Lock Nut 5/16-24
2.	731-1899	Chipper Chute	36.	781-0735	Pin Clip
3.	735-0249	Chute Flap	37.	719-0329	Flail Blade
4.	781-0633	Chute Flap Strip	38.	711-0833B	Clevis Pin
5.	681-0095	Chipper Chute †	39.	715-0166	Pin
6.	681-0068A	Chipper Chute Assembly	40.	736-0247	Flat Washer 3/8 x 1.25
7.	710-0751	Hex Cap Screw 1/4 -20 x.620	41.	742-0571	Shredder Blade
8.	712-3027	Hex Lock Nut 1/4-20	42.	710-1254	Hex Cap Screw 3/8-24 x 2.25
9.	710-0106	Hex Cap Screw 1/4-20 x 1.25	43.	738-0813	Axle Assembly
10.	736-0173	Flat Washer.28 ID x.74 OD		738-0814	Axle Assembly †
11.	736-0242	Bell Washer.340 ID x.872 OD	44.	750-0786	Spacer
12.	712-3010	Hex Nut 5/16-18	45.	734-1597A	Wheel Assembly 10.0 x 4.0
13.	749-1004	Support Brace	46.	726-0214	Push Cap
15.	714-0149B	Cotter Pin	47.	734-1600	Wheel Assembly 10.0 x 2.5 †
16.	681-0048	Wing Knob 5/16-18	48.	681-0004A	Outer Impeller Housing Assembly
17.	681-0094	Discharge Chute Assembly	49.	710-0825	Hex Cap Screw 1/4-20 x 3.75
18.	711-0835	Clevis Pin	50.	781-0515	Support Bracket
19.	781-0457	Flail Screen	51.	781-0574	Support Plate
20.	726-0211	U-Nut 5/16-18	52.	681-0104	Impeller Bracket Assembly
21.	750-0793	Spacer	53.	732-0306	Compression Spring 1.75
22.	712-3027	Hex Lock Nut 1/4-20	54.	736-0117	Flat Washer
23.	712-3004A	Hex Lock Nut 5/16-18	55.	714-0104	Cotter Pin
24.	736-0119	Lock Washer 5/16	56.	736-0264	Flat Washer.330 ID x.630 OD
25.	681-0184	Frame	57.	710-0376	Hex Cap Screw 5/16-18 x 1.0
26.	710-0805	Hex Cap Screw 5/16-18 x 1.50	59.	736-0362	Flat Washer.320 ID x 1.25 OD
27.	736-0170	Bell Washer 5/16 x 1.0	60.	712-0429	Hex Lock Nut 5/16-18
28.	681-0117	Inner Impeller Housing Assembly	61.	731-1710	Hopper Collar
29.	710-3008	Hex Cap Screw 5/16-18 x.75	62.	681-0123	Hopper Bracket Assembly
30.	710-0157	Hex Cap Screw 5/16-24 x.75	63.	711-1128	Lock Rod
31.	781-0490	Chipper Blade	64.	731-1707	Hopper Assembly
32.	710-1054	Hex Cap Screw 5/16-24 x 1.0	65.	710-3008	Hex Cap Screw 5/16-18 x.75
33.	681-0030	Impeller Assembly	66.	764-0199A	Bag (Not Shown)
34.	736-0119	Lock Washer 5/16	67.	731-1617	Tamper Plug (If Equipped)

† Model 462 Only

# NOTES

# ÍNDICE

Contenido	Página
Medidas importantes de seguridad.....	16
Montaje de la cortadora trituradora.....	18
Conozca la cortadora trituradora.....	19
Funcionamiento de la cortadora trituradora.....	20
Mantenimiento de la cortadora trituradora.....	21
Guía para la solución de problemas.....	24
Lista de las piezas.....	12

## BÚSQUEDA DEL NÚMERO DE MODELO

Este manual de operación es una parte importante de la nueva cortadora trituradora. Le ayudará a montar, preparar y mantener la unidad para obtener los mejores resultados. Por favor lea y comprenda el contenido del manual.



**Antes de comenzar el montaje del equipo nuevo**, por favor encuentre la placa del modelo del equipo y copie la información contenida en la misma en el espacio provisto a continuación. La información contenida en la placa del modelo es muy importante en caso de necesitar ayuda de nuestro Departamento de Asistencia al Cliente o de un distribuidor autorizado.

- Para encontrar el número de modelo párese detrás de la unidad y mire hacia abajo donde está el marco por debajo del motor. A continuación se explica un ejemplo de placa de modelo. Para referencias futuras, por favor copie el número de modelo y el número de serie del equipo en el espacio a continuación.



Copie el número del modelo en este espacio: \_\_\_\_\_

Copie el número de serie en este espacio: \_\_\_\_\_

## SERVICIO TELEFÓNICO DE ASISTENCIA AL CLIENTE

En caso de tener problemas para ensamblar este producto o de tener dudas con respecto a los controles, funcionamiento o mantenimiento del mismo, por favor comuníquese con el Departamento de asistencia al cliente.



Llame al **1- (330) 220-4MTD (4683)** o **1- (800)-800-7310** para comunicarse con un representante de asistencia al cliente. Por favor cuando llame tenga a la vista el número de modelo y el número de serie de su unidad. Consulte la sección anterior para obtener esta información. Se le solicitará que ingrese el número de serie para poder procesar su llamada.

Si desea más información sobre la máquina visite nuestro sitio web en [www.mtdproducts.com](http://www.mtdproducts.com)

# SECCIÓN 1: MEDIDAS IMPORTANTES DE SEGURIDAD



**ADVERTENCIA:** La presencia de este símbolo indica que se trata de instrucciones importantes de seguridad que debe respetar para evitar poner en riesgo su seguridad personal y / o material y de otras personas. Lea y siga todas las instrucciones contenidas en este manual antes de intentar poner esta máquina en funcionamiento. De no hacerlo puede ocasionar lesiones. Cuando encuentre este símbolo - **respete la advertencia que aparece a continuación del mismo.**

**ADVERTENCIA:** El escape del motor de este producto contiene productos químicos que el estado de California considera que pueden producir cáncer, defectos de nacimiento u otros problemas reproductivos.

**PELIGRO:** Esta máquina está diseñada para ser utilizada respetando las reglas de seguridad contenidas en este manual. Al igual que con todos los equipos eléctricos si el operador es descuidado o comete errores puede ocasionar lesiones graves. Esta máquina puede amputar manos y pies y arrojar objetos. De no respetar las instrucciones de seguridad siguientes se pueden producir lesiones graves o la muerte.

## CAPACITACIÓN

1. Lea, comprenda y respete todas las instrucciones que figuran en la máquina o en este(os) manual(es) antes de proceder al montaje y operación del equipo. Guarde este manual en un lugar seguro para referencias futuras y regulares y para solicitar repuestos.
2. Familiarícese con todos los controles y con el uso adecuado de los mismos. Sepa cómo detener la máquina y cómo desengranar los controles rápidamente.
3. Nunca permita que niños menores de 16 años operen esta máquina. Los niños de 16 años y más deben leer y comprender las instrucciones de operación y las reglas de seguridad contenidas en este manual y deben ser capacitados y supervisados por uno de los padres.
4. Nunca permita que adultos sin conocimientos acerca de la máquina operen la misma.
5. Mantenga a los observadores, ayudantes, mascotas y a los niños por lo menos a 75 pies de la máquina mientras la misma está en funcionamiento. Detenga la máquina si alguien entra en la zona.
6. Nunca encienda un motor en espacios cerrados o en una zona con poca ventilación. El escape del motor contiene monóxido de carbono, un gas inodoro y letal.
7. No coloque las manos o los pies cerca de las partes rotatorias o en las cámaras de alimentación ni en la abertura de descarga. El contacto con el motor rotatorio puede producir la amputación de dedos, manos o pies.
8. Nunca trate de destapar la toma de alimentación o la abertura de descarga, ni trate de sacar o vaciar la bolsa vacía ni de revisar y reparar la máquina mientras el motor está en marcha. Apague el motor y espere hasta que todas las piezas que se mueven se hayan detenido por completo. Desconecte el cable de la bujía y póngalo de manera que haga masa contra el motor.

## PREPARACIÓN

1. Revise minuciosamente la zona donde se utilizará el equipo. Retire todas las piedras, botellas, latas u otros objetos extraños que puedan ser levantados o arrojados causando lesiones o daños a la máquina.
2. Para protegerse los ojos utilice siempre anteojos o antiparras de seguridad mientras opera la máquina o mientras la ajusta o repara. Los objetos arrojados que rebotan pueden lesionar gravemente la vista.
3. Utilice zapatos de trabajo resistentes, de suela fuerte y pantalones y camisas ajustados. Las prendas sueltas o las alhajas pueden quedar atrapadas en las piezas móviles. Nunca opere esta máquina estando descalzo o con sandalias.

Utilice guantes de trabajo de cuero cuando alimente material por el canal de la cortadora.

4. Antes de encender la máquina controle que todos los pernos y tornillos estén bien ajustados para comprobar que la máquina se encuentra en condiciones seguras de operación. Además realice una inspección visual de la máquina a intervalos frecuentes para controlar si la misma está dañada.
5. Mantenga o reemplace las etiquetas de seguridad e instrucciones según sea necesario.
6. Sea sumamente cuidadoso al manipular la gasolina. La gasolina es altamente inflamable y los vapores son explosivos. Se puede lesionar gravemente si derrama gasolina sobre usted o sobre la ropa ya que se puede encender. Lave la piel y cámbiese de ropa de inmediato.
  - a. Utilice sólo recipientes para gasolina autorizados.
  - b. Apague todos los cigarrillos, cigarros, pipas y otras fuentes de combustión.
  - c. Nunca cargue combustible en la máquina en un espacio cerrado.
  - d. Nunca saque la tapa del gas ni agregue combustible mientras el motor está caliente o en marcha.
  - e. Deje que el motor se enfríe por lo menos dos minutos antes de volver a cargar combustible.
  - f. Nunca recargue el tanque de combustible. Llene el tanque no más de 1/2 pulgada por debajo de la base del cuello del filtro para dejar espacio para la dilatación del combustible.
  - g. Vuelva a colocar la tapa de la gasolina y ajústela bien.
  - h. Limpie la gasolina derramada sobre el motor y el equipo. Traslade la máquina a otra zona. Espere 5 minutos antes de encender el motor.
  - i. Nunca almacene la máquina o el recipiente de combustible en un espacio cerrado donde haya fuego, chispas o luz piloto (por ejemplo, hornos, calentadores de agua, calefactores, secadores de ropa, etc).
  - j. Para reducir el riesgo de incendio mantenga la máquina limpia de pasto, hojas y de acumulación de otros escombros. Limpie los derrames de aceite o combustible y saque todos los escombros embebidos con combustible.
  - k. Deje que la máquina se enfríe por lo menos 5 minutos antes de guardarla.

## FUNCIONAMIENTO

1. No ponga las manos o los pies cerca de las piezas rotatorias o en las cámaras de alimentación ni en la abertura de descarga. El contacto con el motor rotatorio puede producir la amputación de dedos, manos o pies.
2. Antes de encender la máquina compruebe que el canal de la cortadora, la toma de alimentación y la cámara de corte están vacías y sin escombros.



3. Inspeccione minuciosamente todo el material que desea triturar y saque los objetos metálicos, piedras, botellas, latas u otros objetos extraños que pueden ocasionar lesiones o dañar la máquina.
4. Si es necesario empujar el material por la tolva de la trituradora use un palo de poco diámetro. No utilice las manos ni los pies.
5. Si el motor golpea un objeto extraño o si la máquina produce un sonido poco común o una vibración al encenderla, apague el motor de inmediato. Deje que el motor se detenga por completo. Desconecte el cable de la bujía, póngalo de manera que haga masa contra el motor y siga estos pasos:
  - a. Inspeccione la máquina para ver si está dañada.
  - b. Repare o reemplace las piezas dañadas.
  - c. Controle si hay piezas flojas y ajústelas para asegurar que la máquina funcione de manera segura y continua.
4. No permita que se acumule material procesado en la zona de descarga. El mismo puede obstaculizar la descarga adecuada y provocar el retorno del material a través de la abertura de alimentación.
5. No intente triturar ni picar material de mayor tamaño al especificado en la máquina o en este manual. Se podrían producir lesiones o daños.
6. Nunca trate de destapar la toma de alimentación o la abertura de descarga mientras el motor está en marcha. Apague el motor y espere hasta que todas las piezas que se mueven se hayan detenido por completo, desconecte el cable de la bujía y póngalo de manera que haga masa contra el motor antes de sacar los escombros.
7. Nunca opere la máquina sin que la tolva de la trituradora, el canal de la cortadora o el canal de descarga estén conectados a la máquina como corresponde. Nunca vacíe ni cambie la bolsa de descarga mientras el motor está en marcha.
8. Mantenga todos los protectores, desviadores y dispositivos de seguridad en su lugar y en buenas condiciones.
9. Mientras alimenta material dentro de la máquina mantenga su rostro y su cuerpo detrás y hacia un costado del canal de la cortadora para evitar lesiones por retrocesos accidentales.
10. Nunca opere esta máquina sin buena visibilidad o iluminación.
11. No opere esta máquina en superficies pavimentadas, con grava o desniveladas.
12. No opere esta máquina estando bajo los efectos del alcohol o de drogas.
13. El silenciador y el motor se calientan y producen una quemadura. No los toque.

14. Nunca levante o transporte la máquina cuando el motor está encendido.

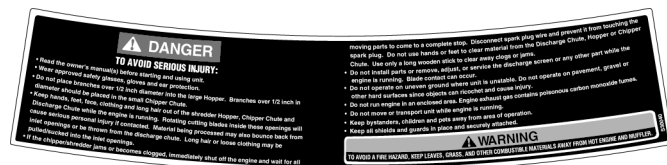
## MANTENIMIENTO Y ALMACENAMIENTO

1. Nunca manipule los dispositivos de seguridad de manera imprudente. Controle periódicamente que funcionen de forma adecuada.
2. Controle frecuentemente que todos los pernos y tornillos estén bien ajustados para comprobar que la máquina se encuentra en condiciones seguras de operación. Además realice una inspección visual de la máquina para controlar si la misma está dañada y repárela de ser necesario.
3. Antes de limpiar, reparar o inspeccionar la máquina, detenga el motor y compruebe que el mismo y todas las partes que se mueven se hallan detenido. Desconecte el cable de la bujía y póngalo de manera que haga masa contra el motor para evitar que se encienda de manera accidental.
4. No cambie la configuración del regulador del motor ni acelere demasiado el mismo. El regulador controla la velocidad máxima segura de operación del motor.
5. Mantenga o reemplace las etiquetas de seguridad e instrucciones según sea necesario.
6. Siga las instrucciones de este manual para cargar, descargar, transportar y almacenar de manera segura esta máquina.
7. Nunca almacene la máquina o el recipiente de combustible en un espacio cerrado donde haya fuego, chispas o luz piloto como por ejemplo, calentadores de agua, hornos, secadores de ropa, etc.
8. Consulte siempre el manual de operación para las instrucciones adecuadas para el almacenamiento fuera de temporada.
9. Si debe vaciar el tanque de combustible, hágalo al aire libre.
10. Respete las normas referentes a la disposición correcta y las reglamentaciones sobre gas, combustible, etc. para proteger el medio ambiente.



**ADVERTENCIA: - SU RESPONSABILIDAD: Sólo permita que usen esta máquina eléctrica las personas que lean, comprendan y respeten las advertencias y las instrucciones que aparecen en este manual y en la máquina.**

**NOTA:** Es posible que no todas las etiquetas de seguridad que se enseñan correspondan a esta cortadora trituradora.



## SECCIÓN 2: MONTAJE DE LA CORTADORA TRITURADORA

**IMPORTANTE:** Esta unidad se envía sin gasolina ni aceite en el motor. Antes de operar la máquina cargue el motor con gasolina y aceite como se indica en el manual separado del mismo.

**NOTA:** Las referencias a los lados derecho o izquierdo de la cortadora trituradora se hacen observando la máquina desde la posición de operación.

### Extracción de la unidad de la caja

- Saque las grapas, rompa el pegamento de las aletas superiores o corte la cinta del extremo de la caja tire a lo largo de la aleta superior para abrir la caja.
- Saque las piezas sueltas que estén junto con la unidad (es decir, el manual de operación, etc.)
- Corte a lo largo de las esquinas, extienda la caja plana hacia abajo y saque el material de embalaje.
- Haga rodar o deslice la unidad fuera de la caja y revise minuciosamente la caja para controlar si hay piezas sueltas.

### Piezas sueltas en la caja (Ver Figura 1)

- Montaje de la tolva
- Canal de descarga
- Canal de la cortadora (463 a 465)
- Bolsa (No se enseña)
- Tapón apisonador (Si está incluido)

## Desconexión del cable de la bujía

Antes de instalar la cortadora trituradora desconecte el cable de la bujía de la misma y póngalo de manera que haga masa contra el motor.

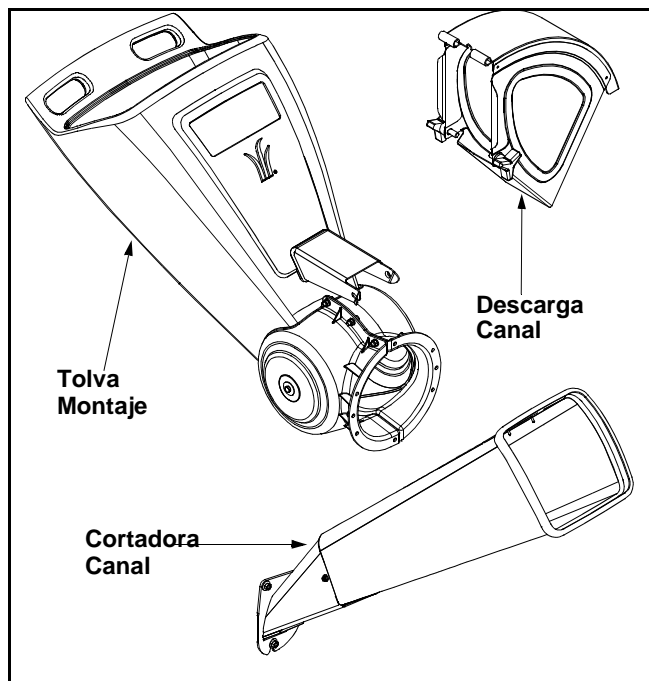


Figura 1

## Colocación del montaje de la tolva (Todos los modelos)

- Saque seis tuercas hexagonales y arandelas de los espárragos de la soldadura de la caja del motor. No saque la placa de sostén. Ver Figure 2.
- Coloque el montaje de la tolva en posición delante de la caja del motor, alineando los agujeros del montaje del aro de la tolva con los espárragos de la soldadura.

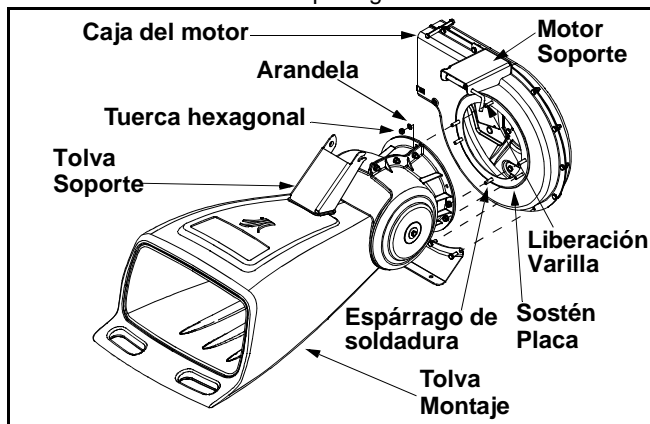


Figura 2

- Deslice el montaje de la tolva sobre los espárragos de la soldadura y vuelva a colocar las arandelas y las tuercas hexagonales. No las ajuste por completo.
- Levante el montaje de la tolva hasta el montaje del soporte del motor y deslice la varilla de liberación apenas hacia fuera para enganchar el soporte de la tolva a la varilla. Ver Figura 2.
- Ajuste las seis tuercas hexagonales que unen el montaje de la tolva a la caja del motor y ajuste también las arandelas hexagonales que unen el soporte de la tolva al montaje de la misma.

## Colocación del canal de descarga (Todos los modelos)

- Saque las perillas a mariposa de los costados de la caja inferior del motor. Ver Figura 3.

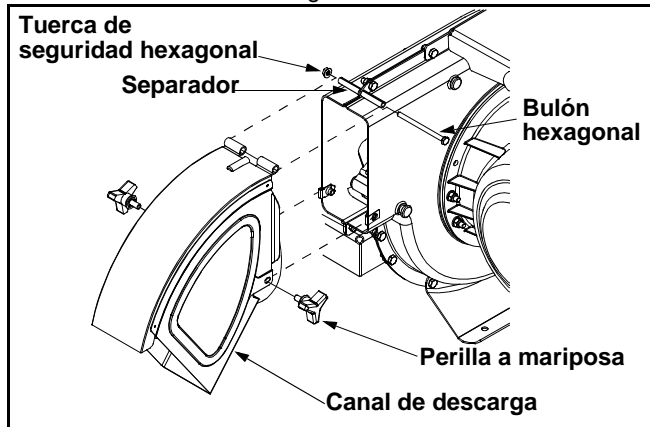


Figura 3

- Saque la tuerca de seguridad hexagonal, los separadores y el bulón hexagonal de la parte superior de la caja del motor.
- Ponga en línea el canal de descarga en su posición en la abertura de descarga e inserte el bulón hexagonal con el separador a través de la bisagra del canal de descarga (los separadores van dentro de las bisagras). Ver Figura 3.
- Coloque el segundo separador sobre el bulón hexagonal dentro de la otra bisagra y ajústelos con la tuerca de seguridad hexagonal.
- Ajuste ambos costados del canal de descarga a la caja del motor utilizando las perillas a mariposa que había sacado anteriormente.

### Colocación del canal de la cortadora

(Modelo 463 hasta el 465 solamente)

- Saque las tres arandelas curvas y las tuercas hexagonales de los espárragos de la soldadura que están al lado de la abertura en el costado de la caja del motor. Ver Figura 4.

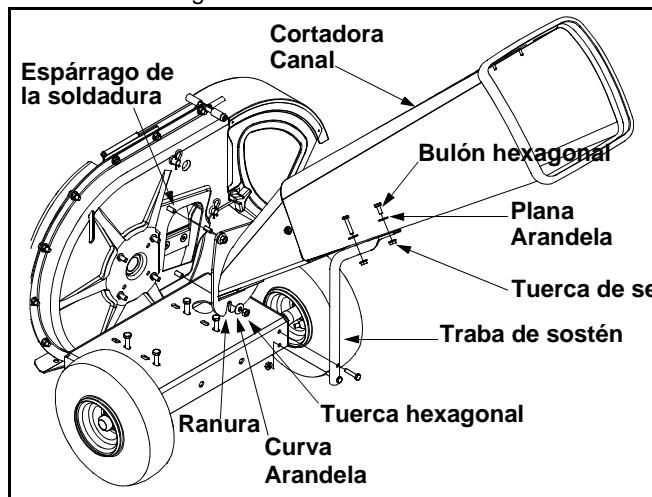


Figura 4

**NOTA:** No se enseña el motor para más claridad.

- Saque los bulones hexagonales, las tuercas de seguridad, y las arandelas planas de los dos agujeros del extremo superior de la traba de sostén.
- Ponga en línea el canal de la cortadora por encima de los espárragos de la soldadura de manera que la ranura en la base del canal mire hacia abajo.
- Ajuste el canal de la cortadora con tres arandelas curvas (con el lado curvo contra el canal de la cortadora) y con las tuercas hexagonales que había sacado anteriormente. No ajuste las tuercas en este momento.
- La cortadora trituradora fue enviada con un extremo de la traba de sostén ya unido al marco inferior. **Afloje pero no saque** los bulones que unen la traba al marco.
- Ponga en línea los agujeros del canal con los agujeros de la parte superior de la traba y una la misma al canal de la cortadora con los elementos de ferretería previamente mencionados. Ajústelos bien.
- Ajuste los bulones que unen la traba de sostén al marco.
- Ajuste las tres tuercas de los espárragos de la soldadura que sostienen el canal de la cortadora a la caja del motor.

### Colocación de la bolsa (Todos los modelos)

- Para colocar la bolsa ponga la abertura de la misma completamente sobre el canal de descarga.
- Oprima el pulsador de la cuerda de tiro y tire de la misma hasta que la bolsa quede ajustada alrededor de la abertura del canal. Suelte el pulsador para ajustarlo en su posición.

## SECCIÓN 3: CONOZCA LA CORTADORA TRITURADORA

Lea este manual de operación y las reglas de seguridad antes de poner la cortadora trituradora en funcionamiento. Compare las ilustraciones en Figura 5 con su unidad para familiarizarse con la ubicación de los distintos controles y ajustes. Guarde este manual para referencias futuras.

### Manija del arrancador

La manija del arrancador está ubicada sobre el motor. Tire de la manija del arrancador para encender el motor. Ver Figura 5.

### Varilla de liberación

La varilla de liberación está ubicada en el montaje del soporte del motor y se usa para liberar o trabar la tolva al momento de subir o bajar. Ver Figura 5.

### Canal de la cortadora

Deje que las ramas pequeñas de hasta 3" de diámetro en los modelos 463 a 465 y de 2" de diámetro en los modelos 462 ingresen al motor para ser picadas. Ver Figura 5.

### Montaje de la tolva

Permita que las hojas y las ramas pequeñas de hasta 1/2 de diámetro ingresen al motor para ser picadas y trituradas. Bajando el montaje de la tolva se puede rastrillar material e introducirlo dentro del mismo. Ver Figura 5.

### Bolsa (No se enseña)

Junta el material triturado o picado que ingresó a través del canal de la cortadora o del montaje de la tolva.

### Tapón apisonador (Si está incluido)

El tapón apisonador está diseñado para ser insertado en el canal de picado para empujar el material hacia el motor. Ver Figura 5.

### Controles del motor

Consulte el manual del motor que viene por separado si desea conocer la ubicación el funcionamiento de los controles del motor.

## Detención del motor

- Mueva las palancas de control del regulador a la posición STOP (detención) u OFF (apagado).

- Desconecte el cable de la bujía de la misma y póngalo de manera que haga masa contra el motor.

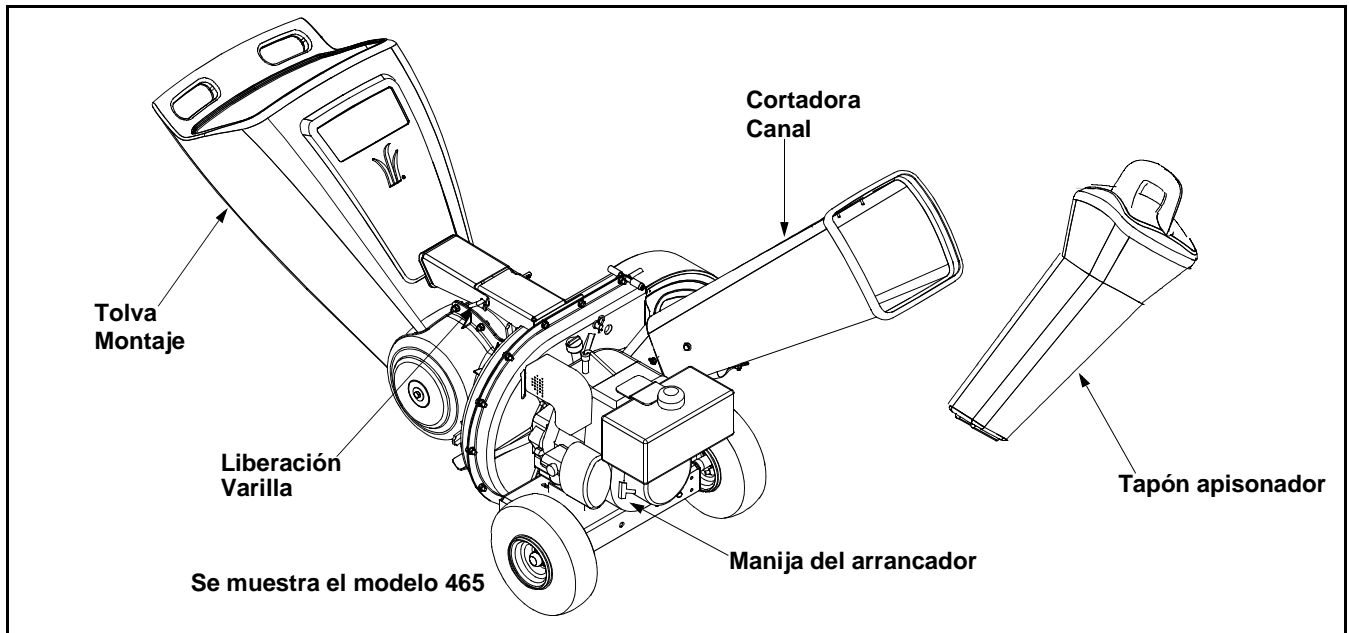


Figura 5

## SECCIÓN 4: FUNCIONAMIENTO DE LA CORTADORA TRITURADORA



**ADVERTENCIA:** Al operar una cortadora trituradora puede ser que objetos extraños sean arrojados a los ojos lo cual puede dañarlos gravemente. Utilice siempre los anteojos de seguridad provistos con esta unidad o protectores para ojos antes de picar o triturar el material o mientras realiza ajustes o reparaciones.

- La palanca de control del regulador está ubicada en el motor. Mueva las palancas de control del regulador del motor a la posición FAST (rápido) o START (encendido).
- Tome la manija del arrancador y saque cuerda lentamente hasta que el motor alcance el comienzo del ciclo de compresión (la cuerda tirará un poco más fuerte en este punto).

### Carga de gas y aceite

Cargue el motor con gasolina y aceite como se indica en el manual separado del mismo que viene embalado con la cortadora trituradora. Lea cuidadosamente las instrucciones.



**ADVERTENCIA:** Nunca cargue el tanque de combustible en espacios cerrados con el motor en marcha o hasta que haya dejado que el mismo se enfríe por lo menos dos minutos después de haber estado en marcha.

**NOTA:** Escuchará un sonido cuando encuentre el comienzo del ciclo de compresión. Este sonido es causado por el descebado y los topes que son partes del mecanismo de la trituradora y son de esperar hasta que el motor alcance la máxima velocidad.

- Tire de la cuerda de manera rápida y continua. Apriete bien la manija del arrancador. Deje que la soga se enrosque lentamente.
- Repita los pasos anteriores hasta que el motor se encienda. Cuando se enciende el motor mueva el control de obturación (si está incluido) gradualmente hasta la posición RUN (en marcha).

### Encendido del motor

- Conecte el cable de la bujía a la misma. Compruebe que la tapa metálica del extremo de la bujía esté bien ajustada sobre la punta metálica de la bujía.
- Motores con palanca de obturación: Mueva la palanca de obturación del motor a la posición CHOKE (obturación). (Si el motor está tibio la obturación puede no ser necesaria).
- Motores con cebador: Utilice el cebador del motor como se explica en el manual por separado del motor.



**ADVERTENCIA:** Nunca encienda el motor en espacios cerrados o en una zona poco ventilada. El escape del motor contiene monóxido de carbono, un gas inodoro y letal.

### Descarga de la bolsa

- Oprima el pulsador de la cuerda de tiro y deslice el mismo hacia afuera para aflojar la bolsa de la abertura del canal de descarga.

- Vacíe la bolsa y vuelva a colocarla en la abertura del canal de descarga. Oprima el pulsador de la cuerda de tiro y tire de la misma hasta que la bolsa quede ajustada alrededor de la abertura del canal.

## Cómo bajar el montaje de la tolva

- Con una mano tome la manija que se encuentra en la parte superior del montaje de la tolva y levántela levemente.
- Con la otra mano tire hacia afuera de la varilla de liberación y baje el montaje de la tolva hasta el piso. Ver Figura 6.

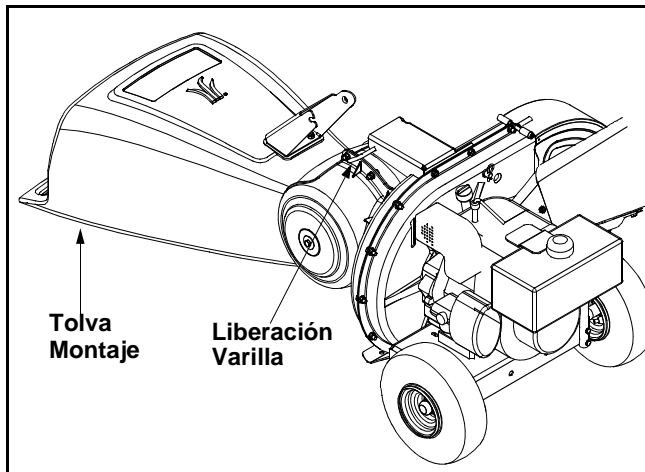


Figura 6

## Uso de la cortadora trituradora

El desecho que se junta en los patios como por ejemplo hojas y las agujas de los pinos se pueden rastrillar e introducir dentro del montaje de la tolva para ser triturado. Después que ha triturado el material con las hojas de desgranar del

montaje del motor, el mismo será descargado hacia afuera por la abertura o hacia adentro de la bolsa colectora. Sólo utilice la máquina para triturar o picar el material integrante de la vegetación que se encuentra en un patio normal (es decir, ramas, hojas, ramas pequeñas, etc.) Evite las plantas fibrosas como por ejemplo las de tomates hasta que estén totalmente secas. Deje que las ramas pequeñas de hasta 3" de diámetro en los modelos 463 a 465 y de 2" de diámetro en los modelos 462 ingresen al canal de la cortadora. Si está incluido, use el tapón apisonador para empujar el material dentro del canal de la cortadora. Ver Figura 7.

**IMPORTANTE:** La pantalla de desgranado está ubicada dentro de la caja en la zona de descarga. Si se tapa la pantalla de desgranado, sáquela y límpiela como se indica en SECCIÓN 5: MANTENIMIENTO DE LA CORTADORA TRITURADORA. Para obtener el mejor resultado es importante también mantener afilada la hoja de la cortadora.

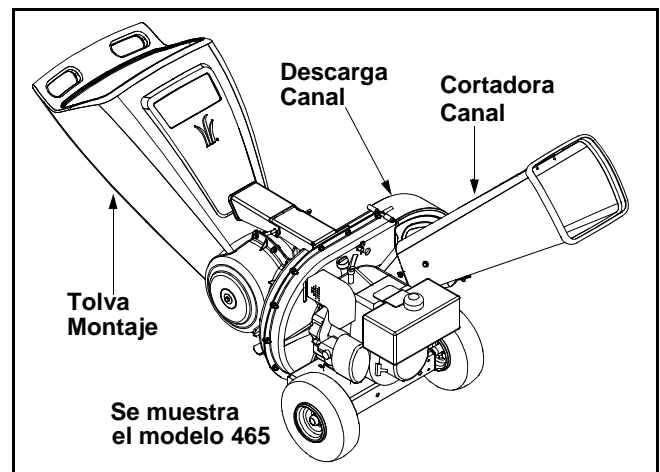


Figura 7

## SECCIÓN 5: MANTENIMIENTO DE LA CORTADORA TRITURADORA

### Responsabilidades del cliente

MANTENIMIENTO PROGRAMACIÓN		Antes de cada uso	Cada 25 horas	Cada 50 horas	Cada 100 horas	Una vez por temporada	Antes del almacenamiento	CONTROL FECHAS					
PRODUCTO	Lubrique el soporte de liberación					✓							
	Lubrique el montaje de la tolva					✓							
	Lubrique el canal de descarga					✓							
	Controle la hoja de la cortadora		✓			✓							
MOTOR	Controle el aceite	✓											
	Cambie el aceite		✓				✓						
	Limpie el filtro de aire		✓			✓							
	Limpie el motor	✓					✓						
	Controle la bujía			✓		✓							



**ADVERTENCIA:** Detenga siempre el motor, desconecte la bujía y haga masa contra el motor antes de limpiar, lubricar o de realizar todo tipo de mantenimiento de la máquina.

## Lubricación

**Varilla de liberación:** Lubrique la varilla y el resorte de liberación con aceite liviano una vez por temporada.

**Montaje de la tolva:** Lubrique los puntos cruciales del montaje de la tolva con aceite liviano una vez por temporada.

**Canal de descarga:** Lubrique los los puntos cruciales del desviador del canal con aceite liviano una vez por temporada.

**Motor:** Siga las instrucciones de lubricación del manual separado del motor que viene embalado con la unidad.

## Mantenimiento

### Motor

Consulte el manual separado del motor para conocer todas las instrucciones de mantenimiento del mismo.

- Controle el **nivel de aceite del motor** antes de cada uso como se indica en el manual separado del mismo que viene embalado con la unidad. Lea y siga las instrucciones cuidadosamente.
- Limpie el **depurador de aire** cada 25 horas en condiciones normales o una vez por temporada. Limpie a intervalos de pocas horas cuando haya mucho polvo. Para realizar el control del depurador de aire consulte el manual separado del motor que viene embalado con la unidad.
- La **bujía** debe limpiarse y se debe reponer la distancia disruptiva una vez por temporada. Consulte el manual del motor para conocer las especificaciones para el tipo de bujía y para la distancia disruptiva.

## Extracción de la pantalla de desgranado

Si la zona de descarga se tapa, saque la pantalla de desgranado y limpie la zona como se indica a continuación:

- Detenga el motor y compruebe que la cortadora trituradora se haya detenido por completo.
- Desconecte el cable de la bujía y póngalo de manera que haga masa contra el motor.
- Saque las dos perillas a mariposa de los costados del canal de descarga y levántelo para mantenerlo fuera del paso. Ver Figura 8.
- Saque los dos broches de horquilla de cada chaveta que se extiende cruzando la caja y saque las clavijas. Ver Figura 8.
- Saque la pantalla de desgranado del interior de la caja y limpie la pantalla cepillándola o lavándola con agua.
- Vuelva a colocar la pantalla y compruebe que la haya reensamblado con el lado curvo hacia abajo.
- Vuelva a unir el canal de descarga con los elementos de ferretería previamente sacados y conecte la bolsa (si está incluida) a la unidad.

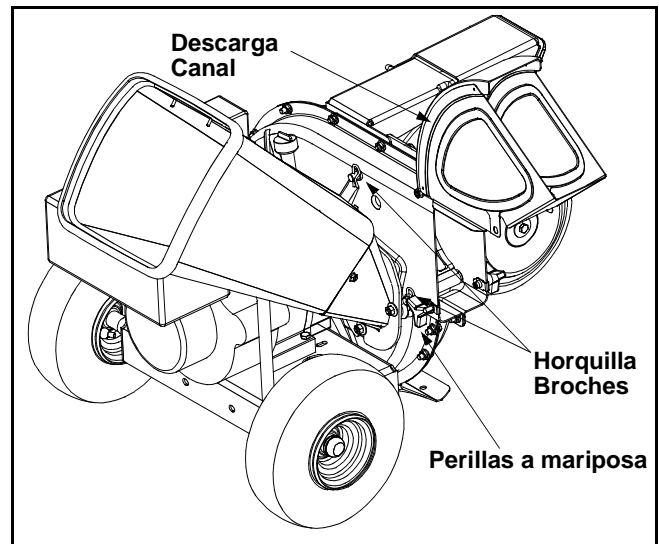


Figura 8

## Afilado o recambio de las hojas de la cortadora

- Desconecte el cable de la bujía y póngalo de manera que haga masa contra el motor.
- Saque la pantalla de desgranado conforme se indica en la sección anterior.
- Saque el canal de la cortadora sacando tres tuercas hexagonales y las arandelas.

### Modelos 463 o 465

- Saque del marco la traba de sostén del canal de la cortadora sacando los bulones hexagonales.

### Todos los modelos

- Gire el ensamblado del motor en forma manual hasta ubicar una de las dos hojas de la cortadora en la abertura del canal de la cortadora.
- Saque la hoja mediante el uso de una llave allen de 3/16" en el lado exterior de la hoja y de una llave ajustable en el montaje del motor. Ver Figura 9.

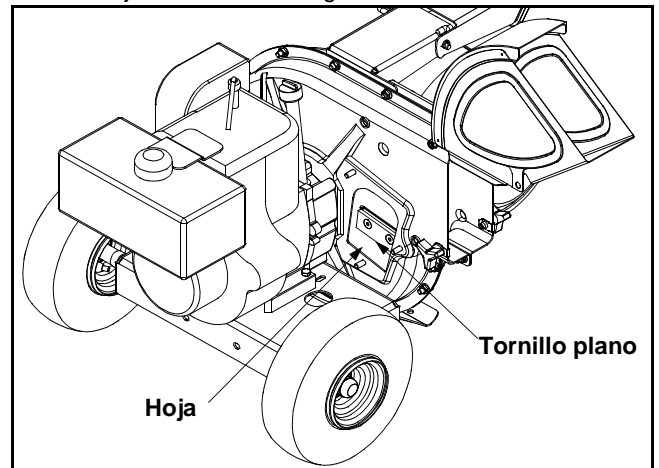


Figura 9

- Gire el motor para que se vea la otra hoja y sáquela de la misma manera.
- Cambie o afile las hojas.

- Cuando afile las hojas, protéjase las manos mediante el uso de guantes y siga el ángulo original de molido. Además asegúrese de sacar una cantidad igual de cada hoja y aplique un par de torsión de 250 - 300 in. lbs. Compruebe que se reensamblen las hojas con el filo hacia arriba.

### Afilado o cambio de la hoja de la trituradora

- Desconecte el cable de la bujía y póngalo de manera que haga masa contra el motor.
- Baje el montaje de la tolva y trabe la caja.
- Saque las seis tuercas hexagonales de seguridad y las arandelas planas de los espárragos de la soldadura de la caja de desgranado.
- Separe el montaje de la tolva del montaje del motor y retire la placa de sostén.

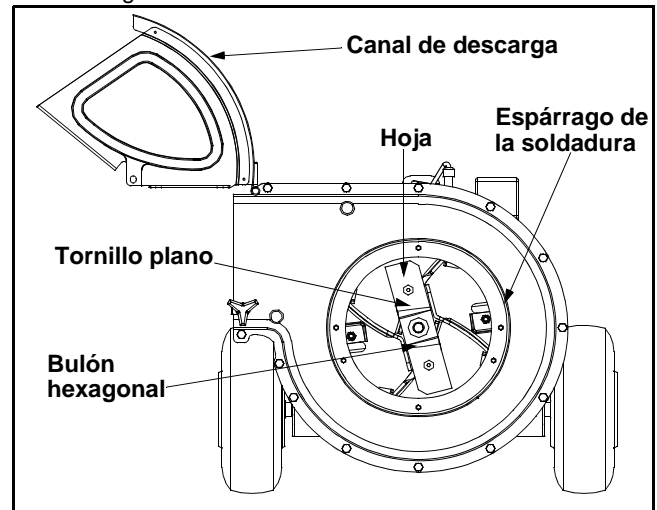
**NOTA:** Cuando vuelva a montar la placa de sostén compruebe que la aleta grabada mire hacia adentro hacia el motor.

- Saque las dos perillas a mariposa y las arandelas curvas que unen el canal de descarga y levántelo.
- Inserte un tubo de 1/2" o 3/4" de diámetro a través de la pantalla de engranado hacia el interior del motor para evitar que el mismo gire o saque la pantalla de desgranado e inserte un trozo de madera en la abertura del canal.
- Saque la hoja sacando el bulón central, la arandela de seguridad y la arandela plana.

**NOTA:** Sea precavido cuando saque la hoja para evitar el contacto con los espárragos de la soldadura de la caja.

- Cuando afile la hoja, siga el ángulo original de molido como guía. Es de suma importancia que cada extremo de corte sea desbastado de igual manera para evitar que la hoja quede desequilibrada.
- Si la hoja está desequilibrada producirá una vibración excesiva cuando gire a alta velocidad y puede dañar la unidad. Se puede probar la hoja balanceándola sobre un destornillador o clavo. Saque el metal del lado pesado hasta que quede bien balanceada.

- Saque los dos tornillos exteriores de la hoja usando una llave allen de 3/16" y una llave de 1/2". Ver Figura 10.



**Figura 10**

- Cuando vuelva a montar la hoja ajuste el bulón central con un par de torsión de entre 550 y 700 in.-lbs. y los dos bulones exteriores con un par de torsión de entre 250 y 350 in.-lbs.

### Almacenamiento de la cortadora trituradora

- Limpie el equipo por completo.
- Limpie el equipo con un trapo con aceite para evitar que se oxide.
- Consulte el manual del motor para conocer las instrucciones para el almacenamiento correcto del mismo
- Almacene la unidad en una zona limpia y seca. No la almacene cerca de materiales corrosivos como por ejemplo fertilizantes.

## SECCIÓN 6: GUÍA PARA LA SOLUCIÓN DE PROBLEMAS

Problema	Causa	Solución
El motor no arranca	<ol style="list-style-type: none"> <li>Se ha desconectado el cable de la bujía.</li> <li>El tanque de combustible está vacío o el combustible es viejo.</li> <li>La palanca de control del regulador no está en la posición de arranque correcta. (Si está incluida)</li> <li>La palanca de obturación no está en la posición CHOKE (obturación). (Si está incluida)</li> <li>El motor no está cebado.</li> <li>La línea del combustible está bloqueada.</li> <li>La bujía no funciona correctamente.</li> </ol>	<ol style="list-style-type: none"> <li>Conecte el cable a la bujía.</li> <li>Llene el tanque con gasolina limpia y fresca.</li> <li>Mueva la palanca del regulador a la posición FAST (rápido).</li> <li>Ponga la palanca de obturación en la posición CHOKE (obturación).</li> <li>Cebe el motor.</li> <li>Limpie la línea del combustible.</li> <li>Límpiala, ajuste la distancia disruptiva o cámbiala.</li> </ol>
El motor funciona de manera errática	<ol style="list-style-type: none"> <li>El cable de la bujía está flojo.</li> <li>La unidad está funcionando en la posición CHOKE (obturación). (Si está incluida)</li> <li>La línea del combustible está tapada o el mismo es viejo.</li> <li>Agua o suciedad en el sistema del combustible.</li> <li>El depurador de aire está sucio.</li> <li>Es necesario ajustar el carburador.</li> </ol>	<ol style="list-style-type: none"> <li>Conecte y ajuste el cable de la bujía.</li> <li>Cambie la palanca de obturación a la posición OFF (apagado).</li> <li>Limpie la línea del combustible; llene el tanque con gasolina limpia y fresca</li> <li>Vacíe el tanque del combustible. Vuelva a llenarlo con combustible fresco.</li> <li>Limpie o cambie el depurador de aire.</li> <li>Consulte al distribuidor autorizado para el mantenimiento.</li> </ol>
Demasiada vibración	<ol style="list-style-type: none"> <li>Hay partes que están flojas o el motor está dañado.</li> </ol>	<ol style="list-style-type: none"> <li>Consulte al distribuidor autorizado para el mantenimiento.</li> </ol>
El motor recalienta	<ol style="list-style-type: none"> <li>El nivel de aceite del motor es bajo.</li> <li>El depurador de aire está sucio.</li> <li>El carburador no está ajustado correctamente.</li> </ol>	<ol style="list-style-type: none"> <li>Llene el cárter con aceite adecuado.</li> <li>Limpie o cambie el depurador de aire.</li> <li>Consulte al distribuidor autorizado para el mantenimiento.</li> </ol>
Salto ocasionales (duda) a alta velocidad	<ol style="list-style-type: none"> <li>La distancia disruptiva de la bujía es muy poca.</li> </ol>	<ol style="list-style-type: none"> <li>Ajuste la distancia disruptiva a 0,030".</li> </ol>
La unidad no descarga	<ol style="list-style-type: none"> <li>El canal de descarga está tapado.</li> <li>Hay un objeto extraño en el motor.</li> <li>RPM del motor son bajas.</li> </ol>	<ol style="list-style-type: none"> <li>Detenga el motor de inmediato y desconecte el cable de la bujía. Limpie la pantalla de desgranado y el interior de la abertura de descarga.</li> <li>Detenga el motor y desconecte el cable de la bujía. Saque el objeto extraño del motor.</li> <li>Siempre accione el motor con el regulador al máximo.</li> </ol>
Tasa de descarga se reduce de manera considerable o cambia la composición del material descargado.	<ol style="list-style-type: none"> <li>RPM del motor son bajas.</li> <li>La hoja de la cortadora está desafilada.</li> </ol>	<ol style="list-style-type: none"> <li>Siempre accione el motor con el regulador al máximo.</li> <li>Cambie la hoja de la cortadora o consulte al distribuidor autorizado para el mantenimiento.</li> </ol>

**NOTA:** Si debe realizar reparaciones más importantes que las enunciadas anteriormente comuníquese con el distribuidor autorizado para el mantenimiento más cercano.







# DEL FABRICANTE GARANTÍA LIMITADA

La garantía limitada que se extiende a continuación es otorgada por la empresa MTD PRODUCTS INC ("MTD") con respecto a mercaderías nuevas compradas y utilizadas en los Estados Unidos, sus posesiones y territorios.

MTD garantiza este producto por defectos materiales y de fabricación por un período de dos (2) años a partir de la fecha de la compra original y reparará o cambiará sin cargo cuando lo considere pertinente todas las piezas con defectos materiales o de fabricación. Esta garantía limitada sólo será aplicable si el producto ha sido utilizado y mantenido según lo establecido en el Manual de operación provisto junto con el producto y no ha sufrido usos inadecuados, abuso, usos comerciales, descuidos, accidentes, mantenimiento incorrecto, alteraciones, vandalismo, robo, incendio, agua u otros peligros o desastres naturales. El daño resultante por la instalación o el uso de accesorios o uniones no aprobados por MTD Products Inc. para su uso con el(los) producto(s) incluido(s) en este manual anulará la garantía en lo que respecta a esos daños.

Las piezas o componentes desgastables normales están sujetos a condiciones diferentes como se indica a continuación: Todas las fallas de las piezas o componentes desgastables normales estarán cubiertas para el producto por un período de 90 días sin importar la causa. Después de los 90 días, pero dentro del período de dos años, las fallas de las piezas desgastables normales serán cubiertas SOLO SI fueron causadas por los defectos materiales o de fábrica de OTRAS piezas componentes. Las piezas o componentes desgastables normales incluyen pero no se limitan a correas, hojas, adaptadores para hojas, bolsas para pasto, ruedas para la plataforma, asientos, zapatos anti deslizantes para la máquina de sacar nieve, placas y gomas de corte. Las baterías están cubiertas por una garantía de reposición limitada de 90 días.

**OBTENCIÓN DEL SERVICIO DE MANTENIMIENTO:** El servicio de la garantía está disponible, CON PRUEBA DE COMPRA A TRAVÉS DEL DISTRIBUIDOR LOCAL AUTORIZADO PARA EL MANTENIMIENTO. Para ubicar al distribuidor de su zona, por favor controle si existe una lista en las Páginas amarillas o comuníquese con el Departamento de asistencia al cliente de MTD PRODUCTS INC llamando al 1-800-800-7310 o escribiendo al apartado postal P.O. Box 368022, Cleveland, Ohio 44136-9722.

**Esta garantía limitada no lo cubrirá en los siguientes casos:**

- a. El motor y las piezas componentes presentes. Estos artículos tienen una garantía diferente a cargo del fabricante. Por favor para estos artículos consulte la garantía aplicable del fabricante.
- b. Las bombas para el corte de madera, las válvulas y los cilindros tienen una garantía independiente de un año.

c. Los artículos necesarios para el mantenimiento de rutina como por ejemplo lubricantes, filtros, afiladores de hojas, las adaptaciones y los ajustes como por ejemplo los ajustes de los frenos, del embrague o de la plataforma y el deterioro normal del acabado exterior debido al uso o exposición.

d. MTD no extiende ninguna garantía para los productos vendidos o exportados fuera de los Estados Unidos de América, sus posesiones y territorios, excepto para aquellos vendidos a través de los canales autorizados de distribución de exportaciones de MTD.

**No se aplican garantías implícitas, incluidas las garantías implícitas de comerciabilidad o de adecuación para un propósito determinado, después del período de aplicación de la garantía escrita expresa extendida más arriba para las piezas de acuerdo con su identificación. Ninguna otra garantía expresa, oral o escrita, excepto la mencionada anteriormente, extendida por personas o personas jurídicas, incluidos los distribuidores o los minoristas con respecto a los productos obligará a MTD. Durante el plazo de la garantía el único recurso es la reparación o reemplazo del producto como se indicó anteriormente.** (Algunos estados no permiten las limitaciones a la duración de las garantías implícitas por lo que la limitación antes mencionada puede no ser de aplicación.)

**Las disposiciones incluidas en esta garantía proveen el recurso único y exclusivo que surge de las ventas. MTD no será responsable por pérdidas o daños incidentales o directos, incluyendo sin límites los gastos incurridos para los servicios de cuidado del pasto de reemplazo o cambio, los gastos de transporte o los gastos relacionados, o los gastos de alquiler para reemplazar de manera transitoria un producto bajo garantía.** (Algunos estados no permiten la exclusión o limitación de los daños y perjuicios incidentales o directos, por lo que las limitaciones mencionadas anteriormente pueden no ser de aplicación.)

En ningún caso se obtendrá una compensación mayor al monto del precio de compra del producto vendido. La alteración de las características de seguridad del producto anularán esta garantía. Usted asume el riesgo y la responsabilidad por las pérdidas, daños o lesiones que sufra Usted y sus bienes y / o otras personas y sus bienes como consecuencia del uso, del uso incorrecto o de la imposibilidad de uso de este producto.

Esta garantía limitada alcanza solamente al comprador original, al arrendatario original o a la persona que recibió el producto de regalo.

**Relación de la ley estadual con esta garantía:** Esta garantía limitada le otorga derechos legales específicos y puede también contar con otros derechos que varían de un estado a otro.

# MANUFACTURER'S LIMITED WARRANTY

The limited warranty set forth below is given by MTD PRODUCTS INC ("MTD") with respect to new merchandise purchased and used in the United States, its possessions and territories.

MTD warrants this product against defects in material and workmanship for a period of two (2) years commencing on the date of original purchase and will, at its option, repair or replace, free of charge, any part found to be defective in material or workmanship. This limited warranty shall only apply if this product has been operated and maintained in accordance with the Operator's Manual furnished with the product, and has not been subject to misuse, abuse, commercial use, neglect, accident, improper maintenance, alteration, vandalism, theft, fire, water or damage because of other peril or natural disaster. Damage resulting from the installation or use of any accessory or attachment not approved by MTD Products Inc. for use with the product(s) covered by this manual will void your warranty as to any resulting damages.

Normal wear parts or components thereof are subject to separate terms as follows: All normal wear part or component failures will be covered on the product for a period of 90 days regardless of cause. After 90 days, but within the two year period, normal wear part failures will be covered ONLY IF caused by defects in material or workmanship of OTHER component parts. Normal wear parts and components include, but are not limited to, belts, blades, blade adapters, grass bags, rider deck wheels, seats, snow thrower skid shoes, shave plates and tires. Batteries are covered by a 90-day limited replacement warranty.

**HOW TO OBTAIN SERVICE:** Warranty service is available, WITH PROOF OF PURCHASE THROUGH YOUR LOCAL AUTHORIZED SERVICE DEALER. To locate the dealer in your area, please check for a listing in the Yellow Pages or contact the Customer Service Department of MTD PRODUCTS INC by calling 1-800-800-7310 or writing to P.O. Box 368022, Cleveland, Ohio 44136-9722.

**This limited warranty does not provide coverage in the following cases:**

- a. The engine or component parts thereof. These items carry a separate manufacturer's warranty. Please refer to the applicable manufacturer's warranty on these items.
- b. Log splitter pumps, valves and cylinders have a separate one year warranty.

- c. Routine maintenance items such as lubricants, filters, blade sharpening and tune-ups, or adjustments such as brake adjustments, clutch adjustments or deck adjustments; and normal deterioration of the exterior finish due to use or exposure.
- d. MTD does not extend any warranty for products sold or exported outside of the United States of America, its possessions and territories, except those sold through MTD's authorized channels of export distribution.

**No implied warranty, including any implied warranty of merchantability or fitness for a particular purpose, applies after the applicable period of express written warranty above as to the parts as identified. No other express warranty or guaranty, whether written or oral, except as mentioned above, given by any person or entity, including a dealer or retailer, with respect to any product shall bind MTD. During the period of the Warranty, the exclusive remedy is repair or replacement of the product as set forth above.** (Some states do not allow limitations on how long an implied warranty lasts, so the above limitation may not apply to you.)

**The provisions as set forth in this Warranty provide the sole and exclusive remedy arising from the sales. MTD shall not be liable for incidental or consequential loss or damages including, without limitation, expenses incurred for substitute or replacement lawn care services, for transportation or for related expenses, or for rental expenses to temporarily replace a warranted product.** (Some states do not allow the exclusion or limitation of incidental or consequential damages, so the above exclusion or limitation may not apply to you.)

In no event shall recovery of any kind be greater than the amount of the purchase price of the product sold. Alteration of the safety features of the product shall void this Warranty. You assume the risk and liability for loss, damage, or injury to you and your property and/or to others and their property arising out of the use or misuse or inability to use the product.

This limited warranty shall not extend to anyone other than the original purchaser, original lessee or the person for whom it was purchased as a gift.

**How State Law Relates to this Warranty:** This limited warranty gives you specific legal rights, and you may also have other rights which vary from state to state.